



# WPDH

Woltman meter  
for hot water up to 130 °C  
DN 50, 65, 80, 100, 125, 150, 200, 250, 300

## Your benefits

---

- Robust, high grade wear resistant materials:  
Excellent measuring stability and reliability
- Removable measuring insert:  
Retrofittability and replaceability  
guaranteed

## Application

---

- Measurement of high, relatively constant  
flow rates
- As volume measuring part for heat calcu-  
lation the meter is suitable for installation  
in central and district heating applications

## Features

---

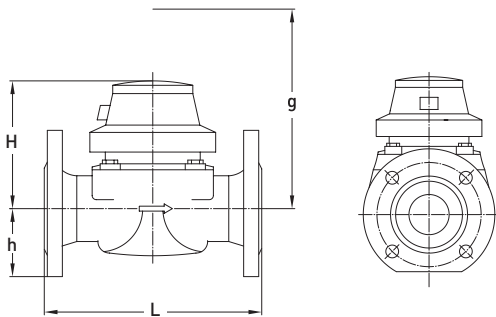
- Universal installation position
- Straight flow section 3xDN
- Register can be turned through 355°
- Maximum operating pressure PN 16 bar
- Temperature up to 130 °C
- Rotor is hydrodynamically balanced
- Symmetrical calibration ring
- Powder coating provides optimum corrosion protection
- Flood proof standard pulser register (IP68) with ports  
for two Reed-RD-Pulsers and one Opto-OD-Pulser

## Technical Data

Nominal diameter	DN	mm	50	65	80	100	125	150	200	250	300
Operating pressure	PN	bar	16	16	16	16	16	16	16	16	16
Nominal flow rate	Q <sub>n</sub>	m <sup>3</sup> /h	15	25	45	70	100	150	250	500	600
Overload flow rate (1x24 h)	Q <sub>max</sub>	m <sup>3</sup> /h	30	60	90	140	200	300	500	1000	1200
Transitional flow rate ±3%	Q <sub>t</sub>	m <sup>3</sup> /h	1,8	2,0	3,2	4,8	8	12	20	45	50
Minimum flow rate ±5%	Q <sub>min</sub>	m <sup>3</sup> /h	0,6	1,0	1,4	2,0	3,5	4,5	8	20	25
Starting flow		app. m <sup>3</sup> /h	0,25	0,3	0,35	0,6	1,1	1,7	2	10	15
Temperature		max. °C	130	130	130	130	130	130	130	130	130

Dimensions and weights											
Length	L	mm	200	200	225	250	250	300	350	450	500
Height	H	mm	120	120	150	150	160	177	206	231	256
Height	h	mm	73	85	95	105	118	135	162	194	226
Dismantling height of measuring unit	g	mm	200	200	270	270	280	356	441	446	491
Meter weight		app. kg	7,7	10	14	18	20,5	35,5	50,5	72,3	99,3
Measuring unit weight		app. kg	1,4	1,4	3	3	3	5,5	7,5	7,5	7,5
Body weight		app. kg	6,3	8,6	11	15	17,5	30	43	63,8	91,8

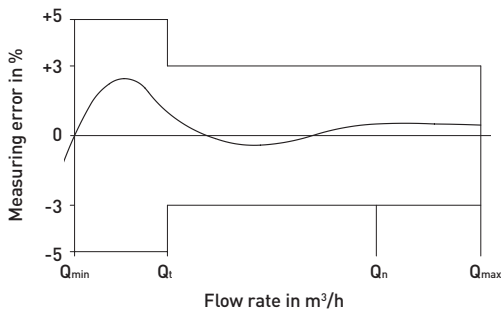
## Dimension Diagram



## Materials

<b>Body:</b>	Cast iron
<b>Measuring unit:</b>	Plastic
<b>Rotor:</b>	Plastic
<b>Other materials:</b>	Brass / non-rusting steel

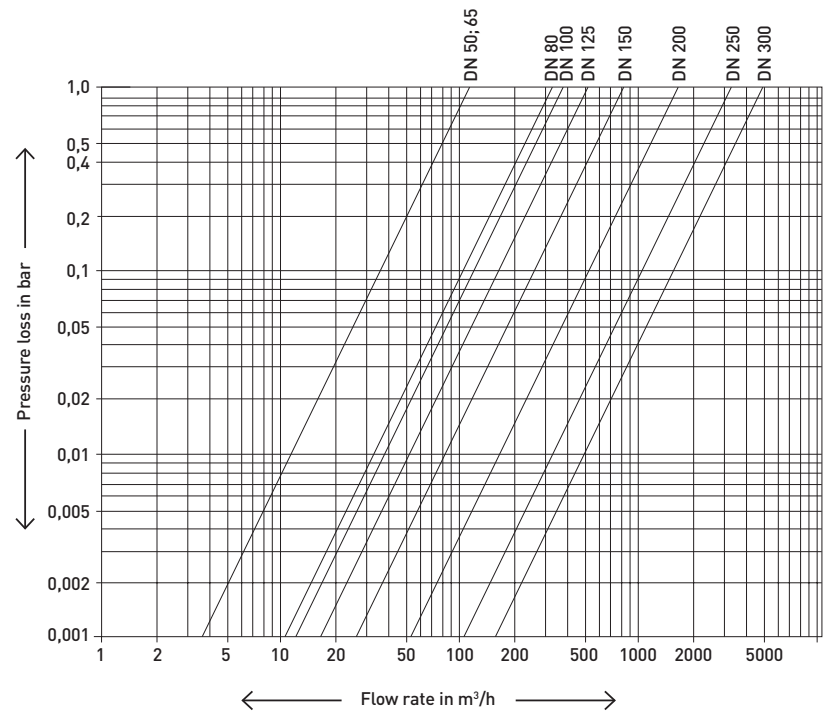
## Measuring error curve



## Installation

- Pipeline:**
- horizontal —
  - vertical |
  - diagonal /
- Meter head:**
- upwards
  - sideways

## Typical Head Loss Curve



## Installation requirements

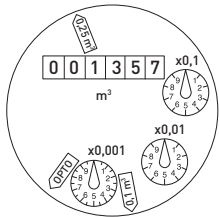
3xDN straight pipe upstream of the meter. No abrupt restrictions directly downstream of the meter.

## Pulse value table

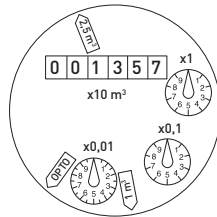
Pulse generator	Register type	DN 50...125 m³	DN 150...300 m³
Reed RD 02	4/10	0,25 and 0,1	2,5 and 1
	4/40	0,25 and 0,025	2,5 and 0,25
Opto OD 02	4/10, 4/40	0,001	0,01
Opto OD 04	4/10, 4/40	0,01	0,1

## Dial

DN 50 – DN 125



DN 150 – DN 300



GWF MessSysteme AG  
Obergrundstrasse 119  
6005 Lucerne, Switzerland

T +41 41 319 50 50  
F +41 41 310 60 87  
info@gwf.ch, www.gwf.ch

Technical support:  
T +41 41 319 52 00, support@gwf.ch

---

printed in  
switzerland

Subject to modification, 06.03.2020 – DBe20400-1