



WSDH

Woltman meter
for hot water up to 130 °C
DN 50, 65, 80, 150

Your benefits

- Robust, high grade wear resistant materials:
Excellent measuring stability and reliability
- Removable measuring insert:
Retrofittability and replaceability
guaranteed

Application

- Measurement of medium to low flow rates
with variable flow profiles
- As volume measuring part for heat calculation the meter is suitable for installation in central and district heating applications

Features

- Horizontal installation position
- No straight flow section required before the meter
- Register can be turned through 355 °
- Maximum operating pressure PN 40 bar
- Temperature up to 130 °C
- Powder coating provides optimum corrosion protection
- Flood proof standard pulser register (IP68) with ports for two Reed-RD-Pulsers and one Opto-OD-Pulser

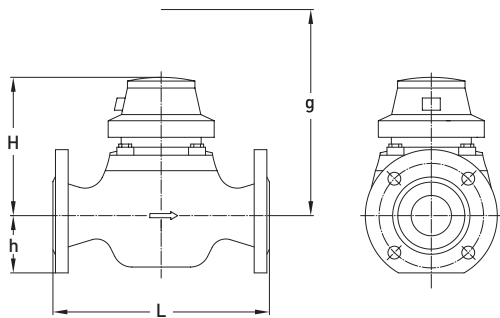
Technical Data

Nominal diameter	DN	mm	50	65	80	150
Operating pressure	PN	bar	40	40	40	40
Nominal flow rate	Q _n	m ³ /h	15	25	40	150
Overload flow rate (1x24 h)	Q _{max}	m ³ /h	30	60	85	300
Transitional flow rate ±3%	Q _t	m ³ /h	1,5	2,5	2,5	12
Minimum flow rate ±5%	Q _{min}	m ³ /h	0,25	0,3	0,3	0,8
Starting flow		app. m ³ /h	0,06	0,07	0,1	0,5
Temperature ¹⁾		max. °C	130	130	130	130

¹⁾Overloadable up to 150 °C

Dimensions and weights (PN 40)						
Length	L	mm	270	300	300	500
Height	H	mm	171	171	171	311
Height	h	mm	80	100	100	180
Dismantling height of measuring unit	g	mm	291	311	311	581
Meter weight		app. kg	19,5	24,5	27,5	114,5
Measuring unit weight		app. kg	4,5	4,5	4,5	31,5
Body weight		app. kg	15	20	23	83

Dimension Diagram



Materials

Body PN 40:

Measuring unit:

Rotor:

Other materials:

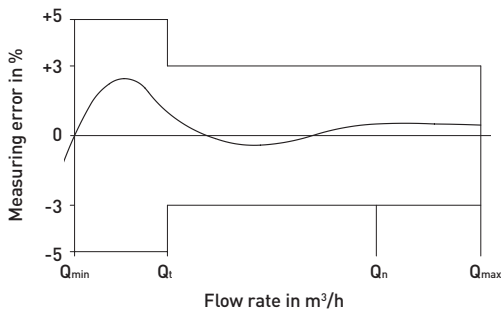
Nodular cast iron

Plastic

Plastic

Brass / non-rusting steel

Measuring error curve

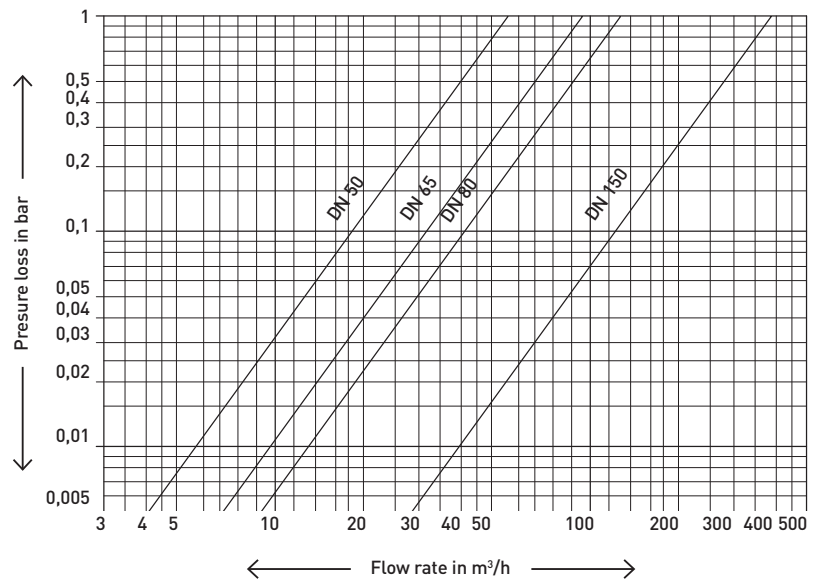


Installation

Pipeline: horizontal —

Meter head: upwards ↑

Typical Head Loss Curve



Installation requirements

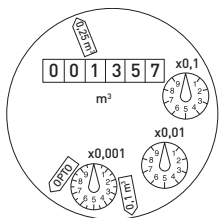
No abrupt restrictions directly downstream of the meter.

Pulse value table

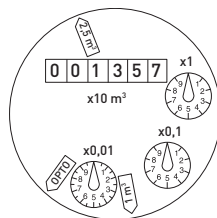
Pulse generator	Register type	DN 50...80 m ³	DN 150 m ³
Reed RD 02	4/10	0,25 and 0,1	2,5 and 1
	4/40	0,25 and 0,025	2,5 and 0,25
Opto OD 02	4/10, 4/40	0,001	0,01
Opto OD 04	4/10, 4/40	0,01	0,1

Dial

DN 50 – DN 80



DN 150



Nominal diameter	DN	50–80	150
Smallest reading	m ³	0,0005	0,005
Maximum register reading	m ³	1'000'000	10'000'000

GWF MessSysteme AG
Obergrundstrasse 119
6005 Lucerne, Switzerland

T +41 41 319 50 50
F +41 41 310 60 87
info@gwf.ch, www.gwf.ch

Technical support:
T +41 41 319 52 00, support@gwf.ch

printed in
switzerland

Subject to modification, 06.03.2020 – DBe20400-2